

TRULY[®]

FlexEnable
 Truly flexible electronics

4.68" ORGANIC LIQUID CRYSTAL DISPLAY (OLCD) EVAL KIT

EXPLORE THE POTENTIAL OF OLCD FOR YOUR APPLICATION

Organic Liquid Crystal Display (OLCD) is a disruptive glass-free display technology that enables conformable, wrappable and shapeable displays for mass market applications including consumer electronics, smart home appliances, automotive and digital signage.

FlexEnable and Truly Semiconductors have jointly developed an Evaluation Kit (Eval Kit) featuring a plastic 4.68" OLCD manufactured by Truly Semiconductors. This OLCD Eval Kit aims to provide you with a convenient platform to evaluate the benefits of OLCD technology for your product.

The OLCD Eval Kit will help you to determine the direction and objectives of your project, test your own video content and develop user interface concepts. It will assist you in engaging your stakeholders and demonstrating the exciting opportunities thin, light, robust and conformable OLCDs bring to products.

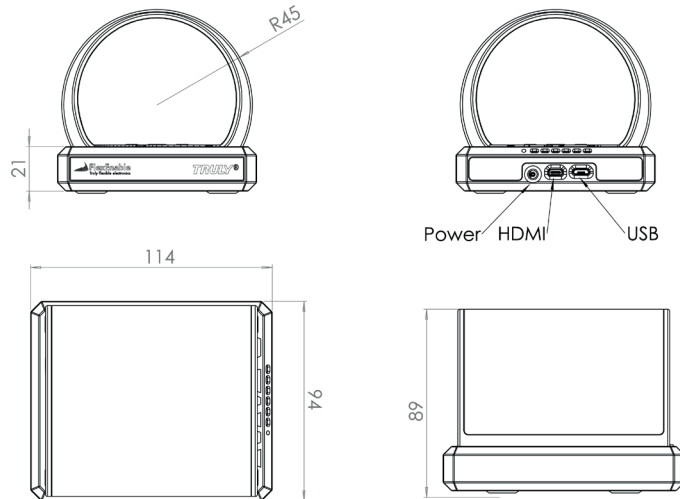
Every new product starts its life as an idea - the OLCD Eval Kit is designed to develop yours.



Benefits of FlexEnable's OLCD platform:

- Enables ultra-thin, light, robust and conformable displays
- Combines the benefits of plastic and LCD without compromising performance
- Display bend radius down to 10 mm
- OLCDs can be laser cut to non-square shapes
- Compatible with existing flat panel display lines and leveraging established supply chain
- Unique process on standard equipment directly removes glass from the production cost

4.68" ORGANIC LIQUID CRYSTAL DISPLAY (OLCD) EVAL KIT TECHNICAL INFORMATION



Parameter	Specifications (Order code: OLCD468V1)
Screen size (diagonal)	4.68"
Display thickness (excl. backlight)	0.3 mm
Module area	133.56 mm x 71.42 mm
Active area	104.83 mm x 56.02 mm
Radius of curvature	45 mm
Resolution	342 (RGB) x 640
Pixel pitch	163.8 um
Pixels per inch	155 PPI
Luminance	350 nits min, 400 typ
Contrast ratio	600 min, 800 typ
Colour gamut	>60% NTSC
Power supply	Single 5V supply via micro USB cable
Video source (internal)	1.2GHz Quad Core CPU; 1GB RAM; Embedded Linux OS; Multiple video format support (inc. MPEG2 and MPEG4 h264); microSD storage for preloaded video content; Video upload via micro USB connection
Video source (external)	Micro HDMI input; Response time <20 ms

Preliminary: Subject to change without notice

Contact us at info@flexenable.com for a quotation.